

# Technical data sheet

## Product features



### Slicer gear, blade 220 mm teflon

<b>Model</b>	<b>SAP Code</b>	00014113
--------------	-----------------	----------



- Blade type: Teflon
- Blade diameter [mm]: 220
- Cutting thickness [mm]: 0 - 14
- Useful Cut [mm]: 195 x155
- Transfer type: Snail
- Material: Aluminium
- Safety cover: transparent plexiglass
- Safety element: motor with fan and overheating protection  
stainless steel blade  
guard  
transparent finger protection
- Suitable consumer: suitable for small restaurants  
and snack bars
- Table position: Oblique
- On/Off button: Yes
- Continuous work limit: running time without limitation

<b>SAP Code</b>	00014113	<b>Loading</b>	230 V / 1N - 50 Hz
<b>Net Width [mm]</b>	445	<b>Blade type</b>	Teflon
<b>Net Depth [mm]</b>	380	<b>Blade diameter [mm]</b>	220
<b>Net Height [mm]</b>	370	<b>Cutting thickness [mm]</b>	0 - 14
<b>Net Weight [kg]</b>	12.50	<b>Useful Cut [mm]</b>	195 x155
<b>Power electric [kW]</b>	0.200		

# Technical data sheet

Technical drawing



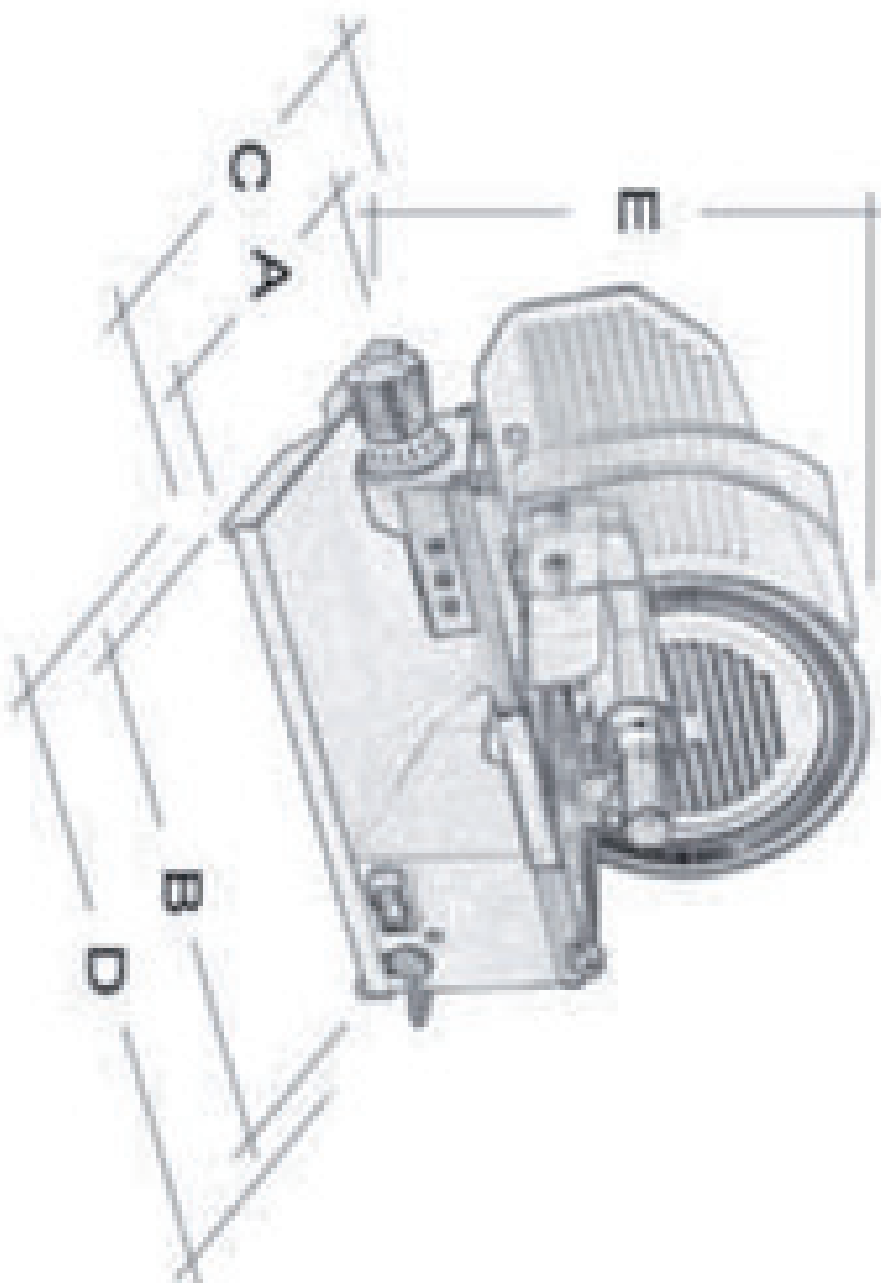
Slicer gear, blade 220 mm teflon

Model

SAP Code

00014113

Model	A	B	C	D	E
GMS 220	275	375	380	445	370
GMS 250	275	430	425	525	380
GMS 275 XL	350	490	480	510	400
GMS 300	350	490	480	580	515



# Technical data sheet

Technical parameters



Slicer gear, blade 220 mm teflon

Model

SAP Code

00014113

**1. SAP Code:**

00014113

**2. Net Width [mm]:**

445

**3. Net Depth [mm]:**

380

**4. Net Height [mm]:**

370

**5. Net Weight [kg]:**

12.50

**6. Gross Width [mm]:**

480

**7. Gross depth [mm]:**

580

**8. Gross Height [mm]:**

460

**9. Gross Weight [kg]:**

14.50

**10. Device type:**

Electric unit

**11. Material:**

Aluminium

**12. Exterior color of the device:**

Stainless steel

**13. Power electric [kW]:**

0.200

**14. Loading:**

230 V / 1N - 50 Hz

**15. Safety cover:**

transparent plexiglass

**16. Safety element:**

motor with fan and overheating protection  
stainless steel blade  
guard  
transparent finger protection

**17. Suitable consumer:**

suitable for small restaurants and snack bars

**18. Engine protection:**

fan and overheating protection

**19. Adjustable feet:**

Yes

**20. Main switch:**

Yes

**21. Start /stop:**

Yes

**22. Transfer type:**

Snail

**23. Blade type:**

Teflon

**24. Blade diameter [mm]:**

220

**25. Useful Cut [mm]:**

195 x155

**26. On/Off button:**

Yes

# Technical data sheet

Technical parameters



Slicer gear, blade 220 mm teflon

Model

SAP Code

00014113

**27. Continuous work limit:**

running time without limitation

**28. Removable moving table:**

Yes

**29. Anti-adhesive blade treatment:**

Yes

**30. Table position:**

Oblique

**31. Blade cover material:**

Stainless steel

**32. Sharpening device:**

Additional included in the price

**33. Blade hardness:**

58-59 HRC

**34. Cutting thickness [mm]:**

0 - 14

**35. Cross-section of conductors CU [mm<sup>2</sup>]:**

0,5

- Výkon (kW): 2,4-3,3 (230 V)